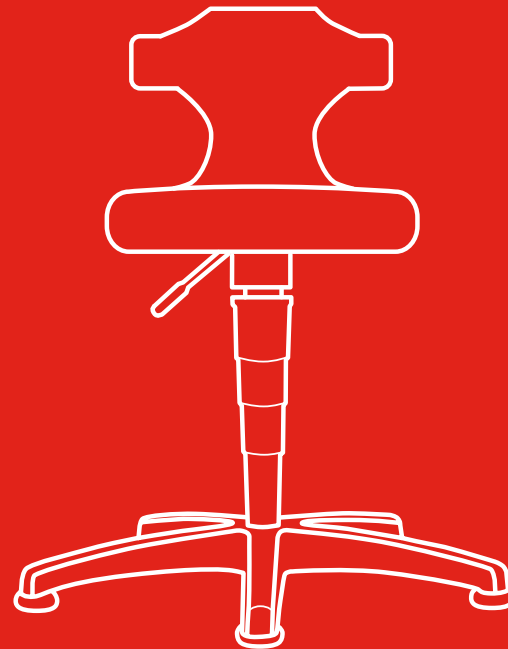


# TRESTON

Flex  
ESD Flex

C18PU  
C18PU-ESD  
C19PU  
C19PU-ESD



Ident. - Nr. 53766.0000.02

Treston Oy  
Sorakatu 1, 20730 Turku Finland  
Tel. +358 10 4469 11 · Fax +358 10 4469 789  
sales@treston.com · www.treston.com

Assembly and operating instructions  
Montage- und Bedienungsanleitung  
Instructions de montage et mode d'emploi  
Asennus- ja käyttöohjeet  
Monterings- och bruksanvisning  
Инструкция по сборке и эксплуатации



**A**

page 4 - 7



**D**

page 12



**B**

page 8 - 9



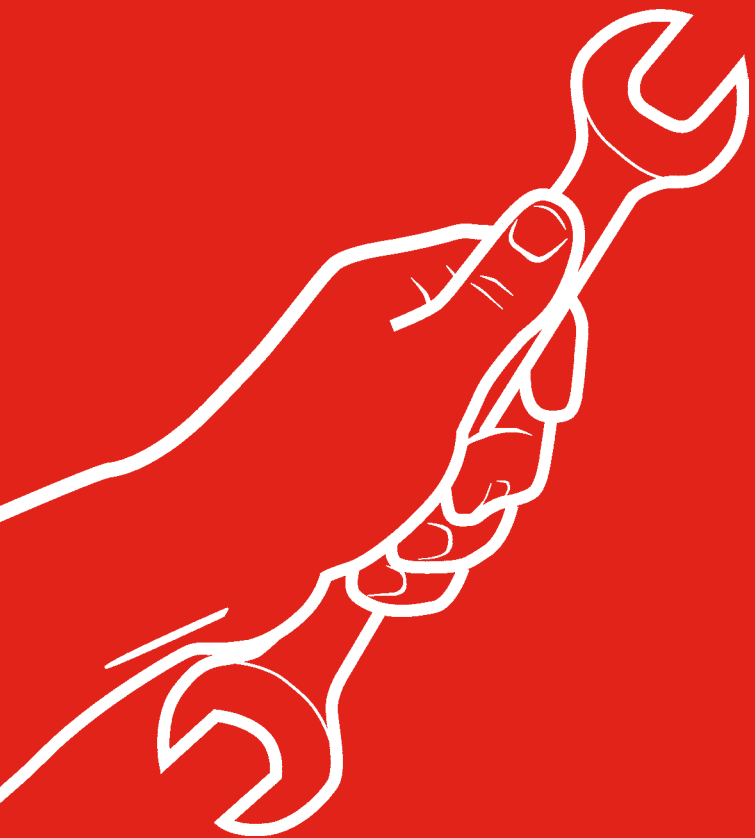
**E**

page 13

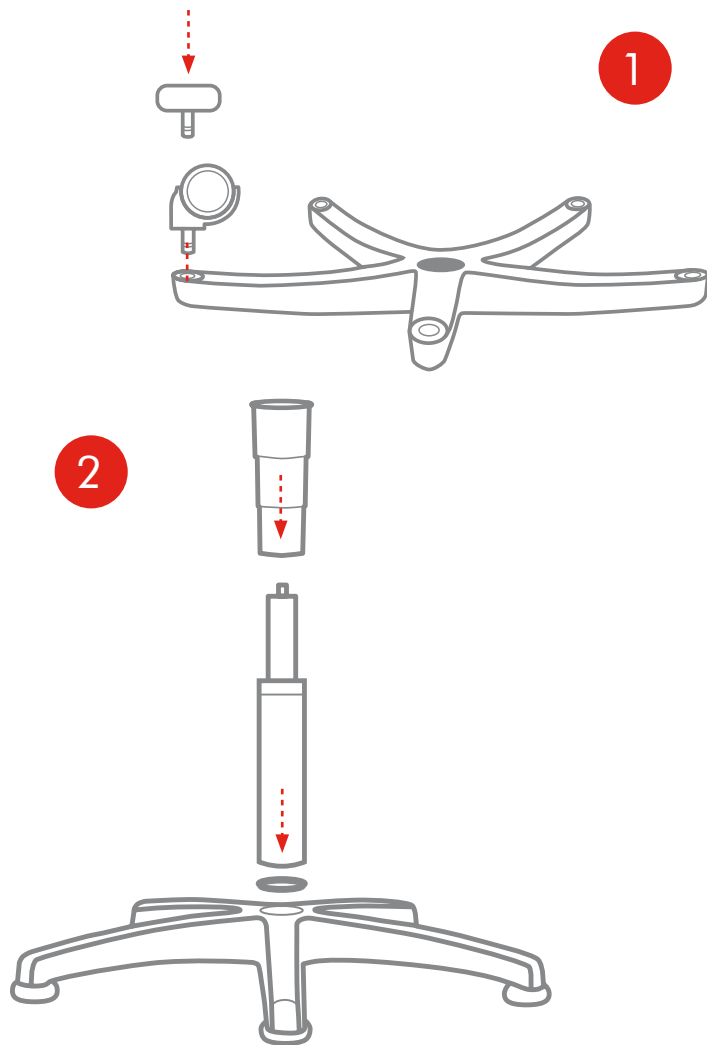


**C**

page 10 - 11



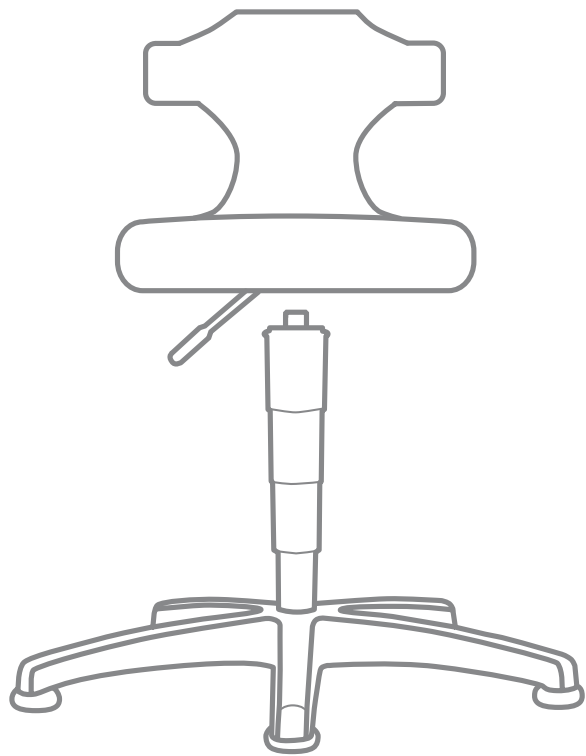
A



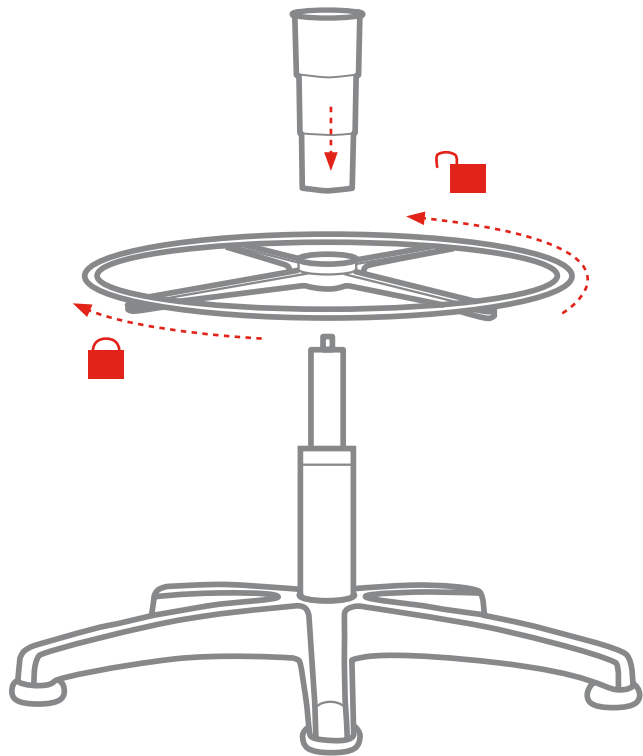
1

2

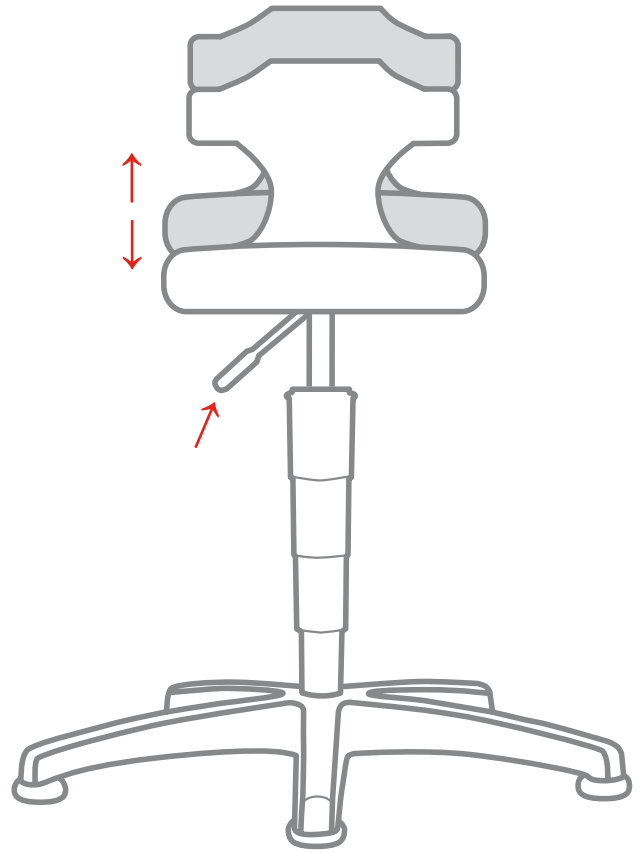
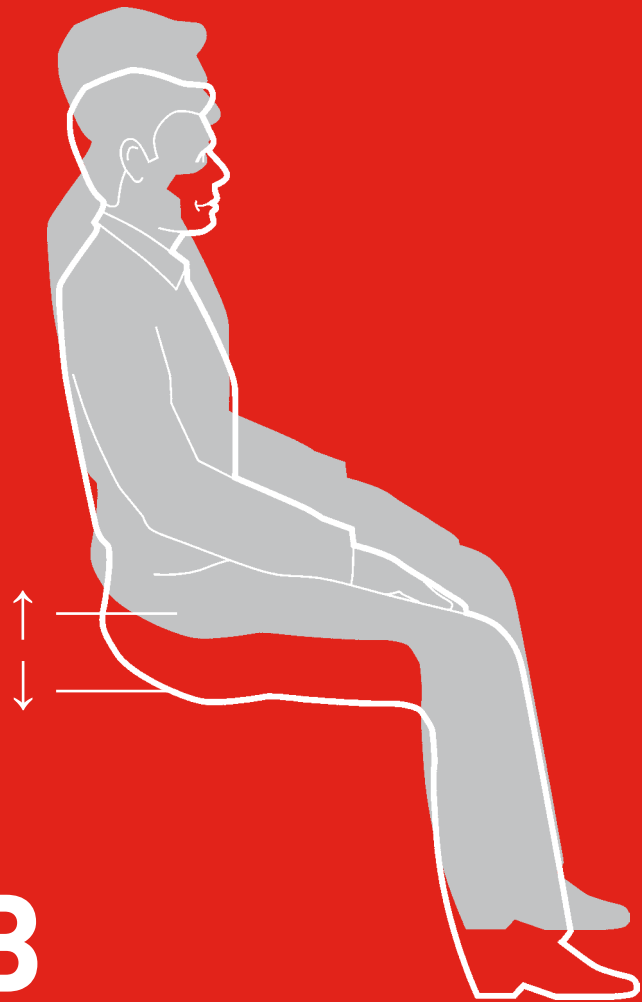
3



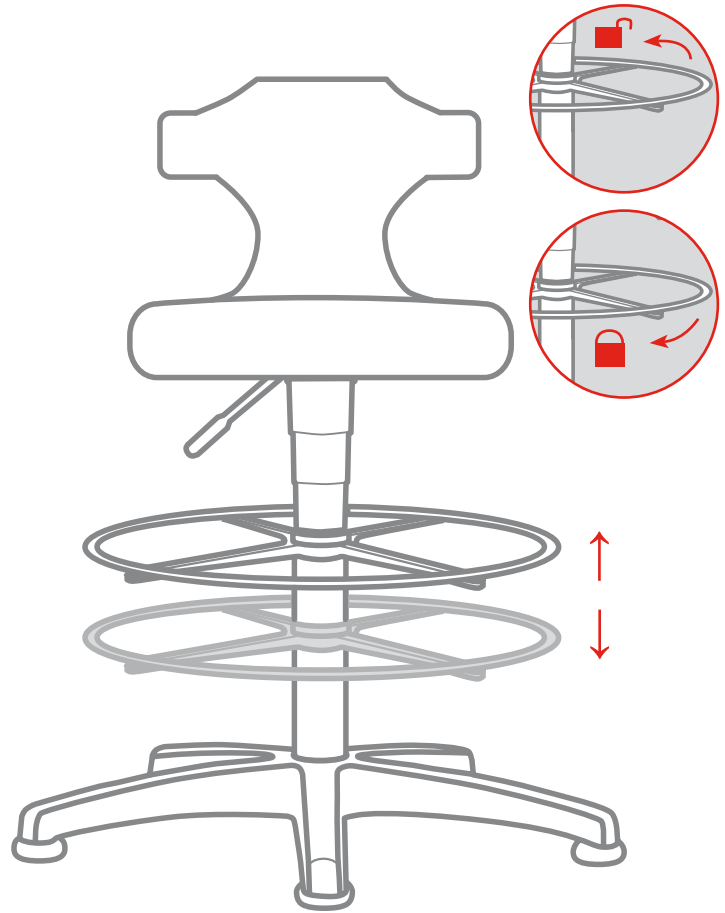
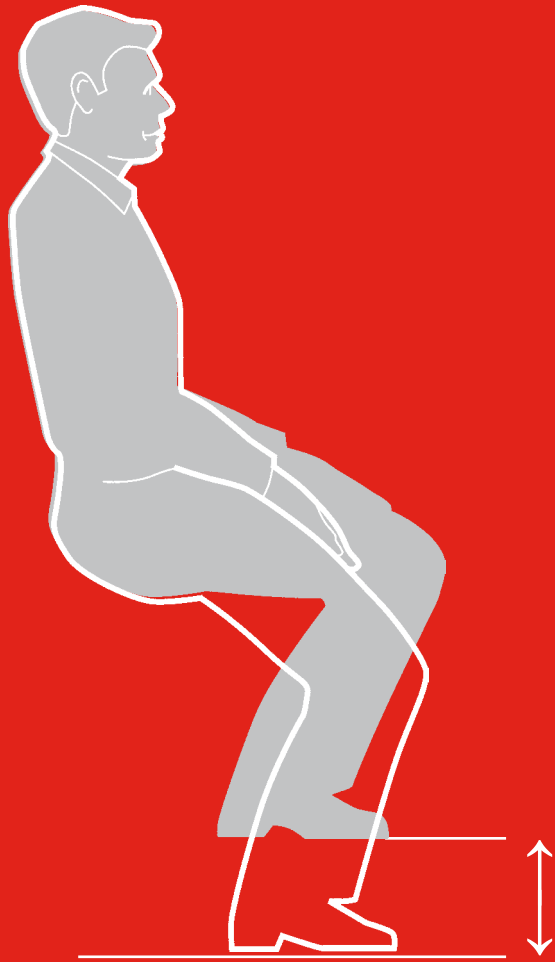
4



**B**



C



# D



# E



[www.bimos.de/cleaning.html](http://www.bimos.de/cleaning.html)



07/2016. Copyright © 2016 Treston.  
All rights reserved. Specifications are subject to change without prior notice.



C18PU



C18PU-ESD



C19PU



C19PU-ESD